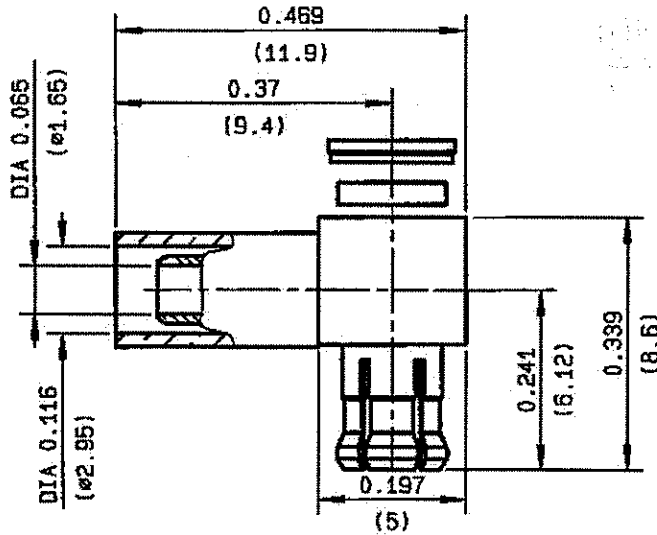


RIGHT ANGLE R-MCX PLUG CRIMP TYPE CABLE 2.6/50 S - PACK. 100	R300.113.100 SERIES DIVERS
--	---



NOMINAL IMPEDANCE	50 Ω	CABLES : KX 22A	
FREQUENCY RANGE	0-6 GHz	RG 174	
TEMPERATURE RATING	-55/+155 °C	RG 188	
V.S.W.R	1.10 + .075 x F(GHz)Maxi	RG 316	
RF INSERTION LOSS	0.1 \sqrt{F} (GHz) dB Maxi		
VOLTAGE RATING	170 Veff Maxi		
DIELECTRIC WITHSTANDING VOLTAGE	500 Veff Mini		
INSULATION RESISTANCE	1000 M Ω Mini	OTHERS CHARACTERISTICS	
HERMETIC SEAL	NA Atm.cm ³ /s	CABLE RETENTION	53 N Mini
LEAKAGE (pressurized only)	NA	CENTER CONTACT RETENTION	
MECHANICAL DURABILITY	500 Cycles	Axial force - mating end	10 N Mini
WEIGHT	1.1 gr	Axial force - opposite end	10 N Mini
SPECIFICATION		Torque	NA cm.N Mini
		RECOMMENDED TORQUES	
		Mating	NA cm.N
		Panel nut	NA cm.N
		Clamp nut	NA cm.N

CONNECTOR PARTS	MATERIALS	FINISH	(all values are given in micrometers)
BODY	BRASS	GOLD 0.2 OVER NICKEL 2	
OUTER CONTACT	BERYLLIUM COPPER	GOLD 0.5 OVER NICKEL 2	
CENTER CONTACT	BRASS	GOLD 1.3 OVER NICKEL 2	
INSULATOR	PTFE	-	
GASKET		-	
OTHERS PIECES			

ISSUE	CREATION DATE	FILE PART-NUMBER	
0825 A01	01/03/1999	98-0104-329	

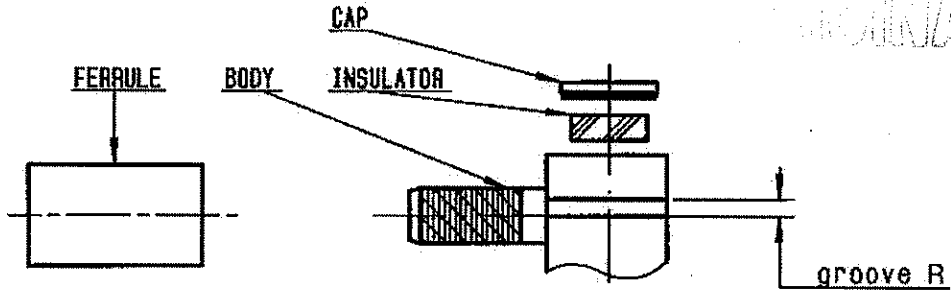
The information given here is subject to change without notice.
 Design changes may be in order to improve the product.

Connect to the future

RAMBERT

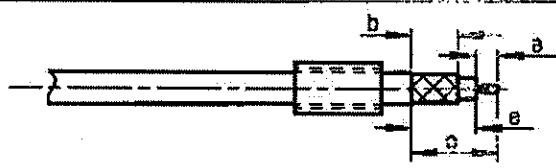


R300.113.100
 ISSUE 0825 A01 SERIES DIVERS



①

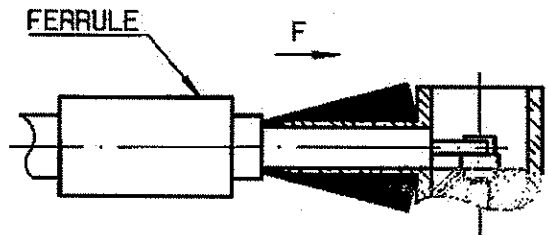
Slide onto the cable the ferrule .
 Strip the cable .
 Tin cable inner conductor .



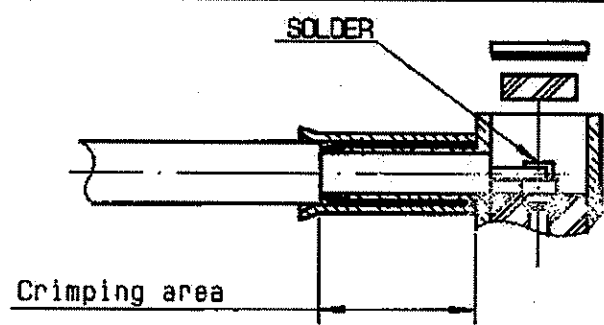
Stripping	a	b	c	d	e
inch	0.079	0.197	0.315	0	0.36
mm	2	5	8		6

②

Fan the braid .
 Push connector body under the braid .
 Slide the ferrule on the braid
 (in direction F)

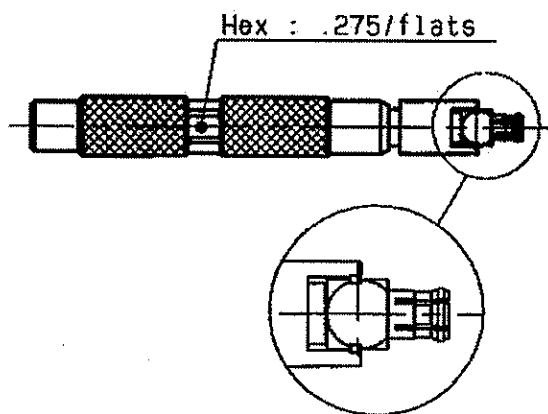


Crimp the ferrule with crimping tool R282 271 000 (Hex. : .128) or crimping tool R 282 293 000 (M22520/5-01) + dies R 282 235 003 (M22520/5-03)
 Solder inner conductor .
 Introduce the insulator into the body .
 Press fit the cap .



④

Slide mounting tool R282 868 onto the body grooves.
 Press fit the cap turning tool handle with adapted wrench .275 (AF) (cap in the same plan than square face).



RAMBERT